

READ THIS FIRST

TITAN COMPACT VAULT

MODEL #AS-2020-01

Installation & Owner's Manual

Listed and approved by the California Department of Justice as a firearm safety device.

Physical alteration or failure to follow these instructions will void your warranty and constitute MISUSE of this product, and may result in serious injury or DEATH. Physical alteration will void the product listing under - California DOJ safety device listed products.

WARNING

YOUR PRODUCT WARRANTY DOES NOT COVER "FORGOTTEN ACCESS CODE" OR DAMAGE CAUSED BY PRODUCT MISUSE. ANY SECURITY SYSTEM IS ONLY AS GOOD AS ITS USER. NO SYSTEM IS 100% CHILDPROOF. FOLLOW ALL INSTRUCTIONS. MAKE SURE THE SAFE IS ALWAYS CLOSED SECURELY AND LOCKED. NEVER GIVE THE COMBINATION TO A CHILD OR LEAVE IT WHERE A CHILD CAN FIND IT. NEVER GIVE THE COMBINATION TO A THIRD PARTY WHO MIGHT GIVE IT TO A CHILD. DO NOT LET A CHILD WATCH YOU ENTER THE COMBINATION. CHANGE THE COMBINATION IF IT IS COMPROMISED.

PRODUCT DESCRIPTION AND FEATURES: Patented Titan Compact Vault / Vault is for storage, preservation, and transportation of handguns. This device will allow quick access to its content and its construction prevents unauthorized access to your firearm and removal of the vault from its docking station. It measures 10" L x 8" W x 2¾" H. and only weighs 7-lb. With a capacity to fit one pistol up to 7.5 inches in total length. Your pistol will fit snugly in our revolutionary universal holster. Semi-automatic, Revolver, it will fit them all. This unit will not accommodate light attachments it will fit compact and subcompact firearms. It is designed for carrying guns only. It will not fit Guns longer than 7.5" in total length. **"Placing larger guns inside the safe will damage its lock mechanism."**

List of Items included:

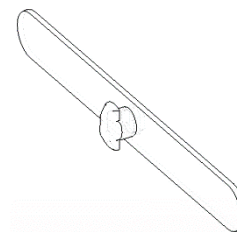
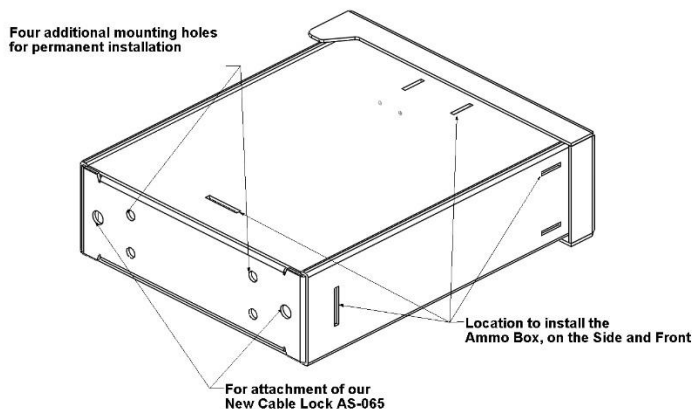
- Titan Compact Vault / Vault
- Compact holster Assembly
- Patented Lock Arm
- Patented Universal Mount
- Patented Universal Bed Mount
- Bed mount clamp + Allen key
- Screw Pack
- Installation and Owner's Manual

Installation Tips:

- For wall installation, always use a stud locator and secure the mounting brackets over the stud at the intersection to maximize holding force; you should connect to the stud with at least four mounting holes. Use screw anchors if necessary and all available mounting holes.
- For floor installation, we have provided Carriage-Bolts as well as Log-Screws. We have also provided sheet metal screws for installations where they are applicable.
- Always ensure that the Mounts are secured to a permanent object to prevent theft.

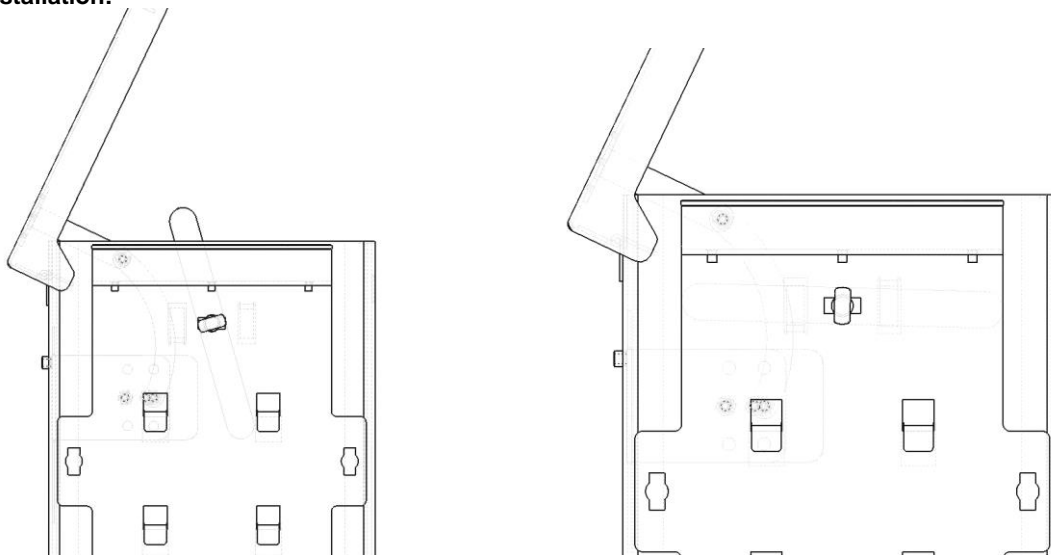
1. Titan Compact Vault:

New feature: Four additional holes for permanent mounting. The side and bottom holes are reserved for our additional accessory cable locks as indicated in the diagram below. Two Positions are for mounting of our additional accessory the Titan Ammo box AS-2035, which is available on our website.



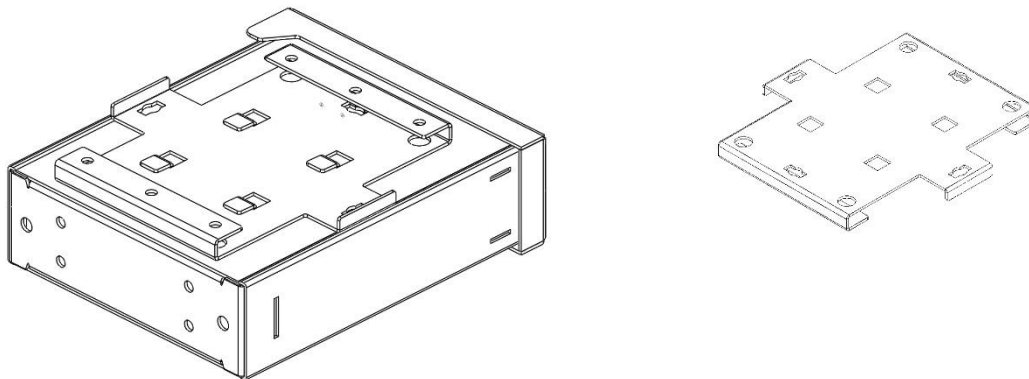
Lock Arm

2. Lock Arm installation:



The universal Bed Mount can be installed in EIGHT different directions. Choose a direction and then insert the lock arm in the slot and rotate 90°; this will mount your Safe to the universal mounting brackets. *It cannot be removed while the lid is closed and locked. Always check and ensure proper installation.*

3. Universal Mount: This mount is suitable for both wall and floor mounting. It can also be used for under the desk, shelf or under the car seat installations. The universal Mount can be installed in TWO different directions. Choose a direction and then insert the lock arm in the slot and rotate 90°; this will mount your Safe to the universal mounting brackets. *It cannot be removed while the lid is closed and locked. Always check and ensure proper installation.*

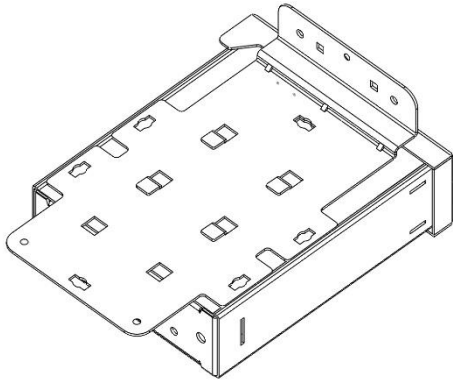


4. Universal Bed Mount and Bed Mount clamp installation:



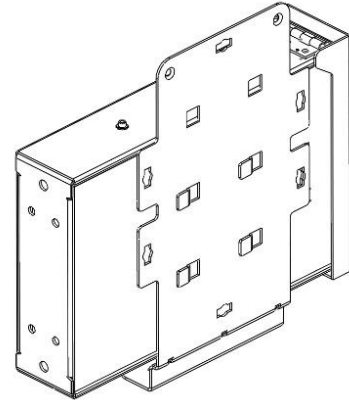
Install the Bed Mount clamp so that the set screws are facing the mattress, as shown above. We recommend that you also drill $\text{Ø}3/16$ " pilot holes and use #10-24 x 1/2" Sheet Metal Self Tapping Screws, make sure to lubricate and DO NOT use power screwdrivers. Mount to the frame and if necessary cut the excess before placing down your bed. Additionally, you can even use steel rivets in place of provided screws to secure the Bed Mount.

6. Bed-mount configuration:



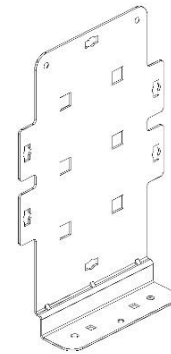
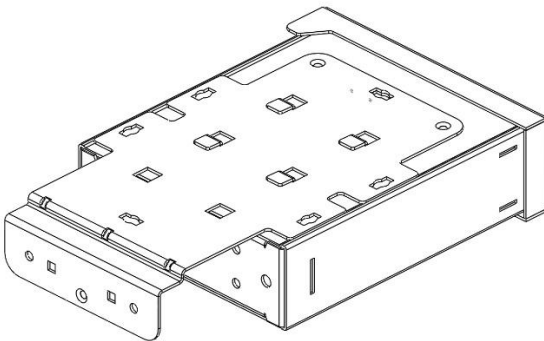
This configuration is suitable for beds with wood or metal frame or under the dash in your vehicle.

7. Side-mount configuration:



8. Floor mount configuration:

For Standing up position.



Bolts through the floor of your vehicle.

This configuration is suitable for mounting to the vehicle floor, in standing up or on its side position.

REMEMBER: THE SECURITY OF YOUR SAFE DEPENDS ON HOW WELL YOU SECURE YOUR MOUNTING BRACKETS INSTALLATION BY PROFESSIONALS ARE HIGHLY RECOMMENDED.

9. Hardware List:

- 4 x #12 x 1-1/2" Pan Head Sheet Metal Screws (for Universal Mount) (All installation).
- 2 x #10-24 x 1/2" Pan Head Sheet Metal Self Tapping screws (for Universal Bed Mount to bed railing).
- 2 x 1/4" x 1-1/2" Lag Screws (for Universal Bed Mount) (use it for floor installation).
- 2 x 1/4 -20 x 1-1/2" Carriage Bolts (for Universal Bed Mount) (use it for vehicle installation).
- 2 x 1/4 -20 Hex-Nuts (for Carriage Bolts) (for Universal Bed Mount) (use it for vehicle installation).
- 2 x #12 x 1-1/2" Pan Head Sheet Metal Screws ADDITIONAL (for Universal Bed Mount).
- 1 x Bed mount Clamp + Hex Allen Key P/N: SU-2029 (for Universal Bed Mount to bed railing).
- 1 x Lock Arm P/N: SU-2016 + 1x Spare Screw #6-32 Truss Head Screw for Holster Bracket.
- ***** Do not discard this screw it will come handy if you lose one.
- ***** Do not discard Hex Key provided with your bed clamp.

10. The Holster Rack:

Remove screw at location (1) to take out the assembly.

There are six mounting hole locations to install the crank-arm. Each of these mounting holes allows you to change the height of your gun in the Safe if desired.

We have used a location suitable for most medium sized auto pistols and small sized revolvers. Adjust location if needed.

*** Hold open feature:

Relocate pivot arm to location (2) indicated across.

The lid has a hold open feature, when it's mounted on its side. To close the lid **DO NOT force it**, instead slightly lift the gun and holster or push the plate as indicated by the arrow and then close the lid.

The lid of your Safe will always open smoothly and flawlessly.

YOUR PRODUCT WARRANTY DOES NOT COVER DAMAGE CAUSED DUE TO FAILURE TO FOLLOW THESE INSTRUCTIONS.

WARNING:

PLEASE NOTE YOU MUST HOLD THE LID WHEN HOLSTERING YOUR FIREARM TO PREVENT THE LID LANDING ON YOUR FINGERS.

11. The Holster

With a capacity to fit one pistol up to 7.5 inches in total length. Your pistol will fit snugly in our revolutionary universal holster. Semi-automatic, Revolver or even it will fit them all!

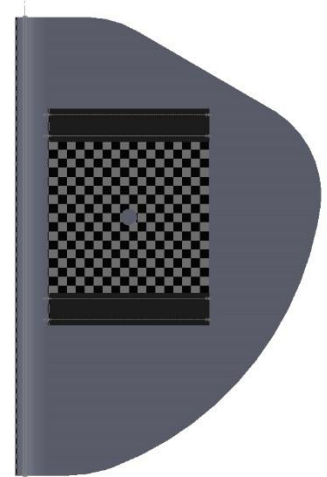
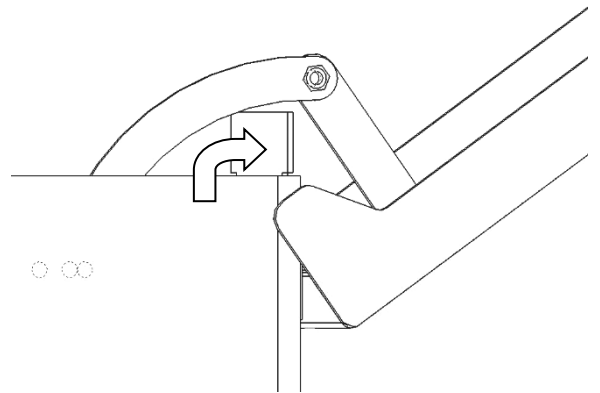
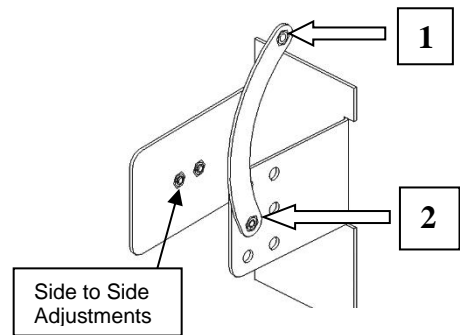
Your Safe is equipped with our universal holster; it's for all semi-automatic pistols O-frame and small J-frame sub compact guns.

It will not accommodate light attachments it only fits compact and subcompact firearms. It is designed for carrying guns only. It will not fit Guns longer than 7.5" in total length. **Placing larger guns inside the safe can cause damage to its lock mechanism.**

We also have a kit to reverse the firearm within the container. Ask our sales team for the "Left-Hand Kit".

12. The Mobile Cable Locking Option

In addition to your mounting brackets; this product can also be secured by a cable lock this is ideal for mobile use in a hotel room or a rental car. You can use off the shelf **Laptop Cable Locks** or our new **Cable Lock AS-2065** available on our website to secure your Safe to any stationary object.



Locking Mechanism:

A fully mechanical – NON-electrical lock:

- Over 2000 possible security combinations – that can be easily changed as many times, as you wish – but only if you know the current combination.
- The turn knob is equipped with a built-in clutch, to prevent forced entry. If forced it will change direction by 90°.
- Combinations can be as simple as using one button or a sequence of all five buttons in both individual and multiples.
- Multiple buttons can be used together in a combination – this feature makes the lock as “**Childproof**” as children generally will push buttons, individually not multiple at the same time.
- A lockout feature deters continued random entry of combinations to gain access.
- Raised buttons provide easy operation without visual contact.
- Lock can be set to determine if someone has attempted access.
- Manufactured by KABA ILCO in U.S.A. for over 30 years with proven performance in thousands of applications.

RECORD YOUR NEW ACCESS CODE ON PAGE SIX AND, KEEP IT IN A SAFE LOCATION WHERE YOU CAN FIND IT. MANY PEOPLE WILL FORGET IT IN THE FIRST WEEK.

*****Read the instructions through once before attempting to change the combination. We also recommend watching the combination change video on our website product page.**

Titan Compact Vault Combination Change procedure:

FACTORY DEFAULT CODE

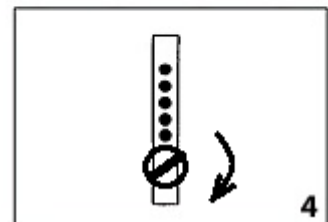
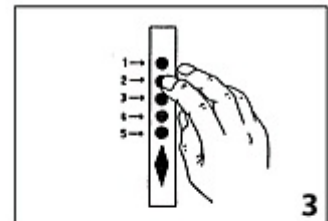
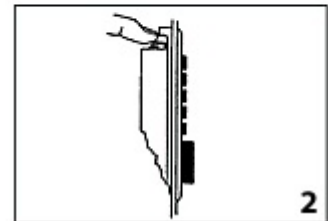
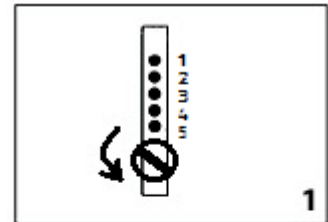
The factory pre-set combination is **2** and **4** pressed simultaneously once pressed, release and then press **3** (and release); (see figure 3). TURN KNOB CLOCKWISE TO OPEN; COUNTER CLOCKWISE TO LOCK OR RESET (SEE PAGE 6).

Remember: Every button can be pushed once; two to five buttons can be pushed at the same time. **DO NOT LOCK THE SAFE UNTIL YOU CHECK THAT YOUR NEW CODE WORKS.**

The knob direction can be changed if you force it in clockwise direction. Record your new combination on page 6. Your new combination can be a selection of individual buttons, simultaneous or selection of both; we don't recommend use of one button only. You have well over 2000 combination to choose from.

To Start: The door must be open (KEEP YOUR HAND UNDER THE LID).

- 1) Turn the control knob to the left (45° counter clockwise) and release (see figure 1)
- 2) Re-Enter current combination (**DO NOT TOUCH THE KNOB**).
- 3) Flip the lid open, press reset lever on the back side of locking mechanism inside of safe (far side of lock towards hinge), you will feel a click (see figure 2).
- 4) Turn the control knob to the left for the 2nd time (45° counter clockwise) and release (see figure 1) this action will erase the old code.
- 5) Enter new combination, write it down on page six (see figure 3)
- 6) Turn knob 90° degree's clockwise as if you were opening (see figure 4)
- 7) New combo is set; test to make sure it works before closing the lid.



AFTER INSTALLATION PRACTICE YOUR NEW ACCESS CODE WITH YOUR EYES CLOSED; IT WILL HELP YOUR MEMORY AND IMPROVE RECALL OF THE SEQUENCE

You should be able to deploy your weapon in 2 to 3 seconds; if not, you need more practice.

Note:

- Do not force at any time.
- If a wrong combination is entered while operating the lock, turn the outside knob to the left (45° counter clockwise) and release. This will clear any previously depressed buttons.
- Enter in the correct combination and turn the knob to the right (90° clockwise) to open.

Troubleshooting:

Symptom/problem: Turning the outside control knob clockwise always retracts latch even though no buttons are depressed.

Cause: Lock is in zero combination. (You did not follow the combination change process correctly).

Solution: Follow the procedure for setting a new combination except omit **step 2**. Revert back to the factory code enter the factory code in step 5. Start all over again.

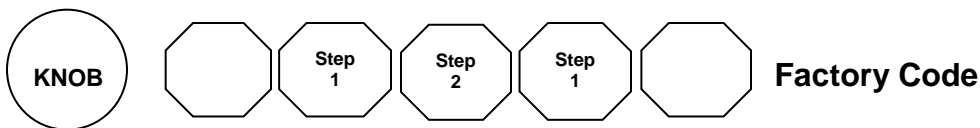
EXAMPLE:

Remember these are sequences not numbers.

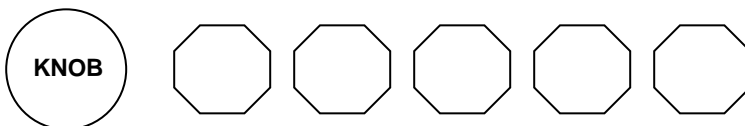
- A counter clockwise turn is to clear or to lock the safe.
- In combination change mode, a counter clockwise turn is to clear the old code.
- In the open position, a counter clockwise turn will **LOCK** the bolt.
- A clockwise turn will **OPEN** your safe after entry of the correct combination. If the knob jumps 90° turn you did not enter the correct code. This feature is added to the knob against forcible entry.

FACTORY DEFAULT CODE

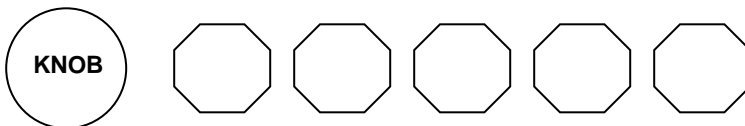
- TO OPEN:
1. TURN THE KNOB COUNTER CLOCKWISE TO RESET
 2. Press **(0X0X0)** simultaneously and release.
 3. Then press **(00X00)** and release.
 4. TURN KNOB CLOCKWISE TO OPEN;



RECORD YOUR NEW ACCESS CODE BELOW IN THE SAME FORMAT AS ABOVE.



SHOULD YOU CHANGE YOUR CODE AGAIN RECORD YOUR NEW ACCESS CODE BELOW



Before you walk away from your safe practice opening the safe with your eyes closed; this will enforce recollection of the code in your subconscious mind (muscle memory), even in times of stress.

***** Not covered under warranty if you drop your safe on hard surface; if it lands on its lid, it can render the lock mechanism inoperable specially with the 1911 stile guns.**

Frequently Asked Questions:

1. Is your safe fire rated?

We do not have a UL fire rating, nor does any company making a quick access handgun safe. The intent is to prevent unauthorized access to a firearm yet fast and easy access to the owner of the firearm.

2. Do your pushbutton locks have a key backup?

No! Backup key locks for small pistol safes are designed to override an electronic lock during the loss of power situation. However, a backup key lock jeopardizes the security of the safe as it allows anyone who finds the key entry to the safe even when the electronic lock is working. The Simplex® push button mechanical lock (no batteries) has a tried and true reputation as the industry leader in push button locks for over 30 years. Additionally, the new knob and built-in clutch also prevent forced entry. It will open for you day or night, hot or cold, every time you enter your secret code. **(No code + no bypass = no entry = True Security)**

3. How do I get into my safe if I have forgotten my combination?

There is no special override combination or secret manipulation of the buttons or knob that will give anyone access to your safe. **Write your combination down and keep it hidden, not inside the safe.** For access to your safe without the combination, you have four choices:

- (1) Cut it open with a torch, although this is not recommended. **Contact us first.**
- (2) Hire a reputable locksmith. Make sure the locksmith has knowledge of the Simplex® pushbutton lock.
- (3) Random entry of possible combinations or **call us.**
- (4) If the safe is empty and not bolted down, you can arrange to return to us for lock replacement; **our warranty does not cover forgotten access codes** and as such, there is a charge associated with lock replacement.

4. Can I carry a loaded handgun in my car if the gun is in a safe?

In most states, this is not legal. If your state has gun laws that prohibit the transportation of loaded handguns in vehicles, the use of our safe will not exempt you from those laws. In many states, including California, handguns are required to be unloaded in an approved locked container with the ammunition secured separately when transported in a vehicle. Our Titan Pistol Vault & Ammo Box does just that. Regardless it is very important to know the gun transportation laws in your local city, county, and state. These laws can and do vary greatly. If you travel from state to state, a good source for current state gun laws is the National Rifle Association's web site www.nra.org.

5. Concern with the safe being childproof

Your Safe was tested and approved by the California Department of Justice as firearm safety device.

Some of the test requirements include a 250-lb Safe door pull test, a 120 strokes hacksaw with a load of 10 pounds, Lock manipulation, Drop test and Impact test.

NO SYSTEM IS 100% CHILDPROOF. FOLLOW ALL INSTRUCTIONS. MAKE SURE THE SAFE IS ALWAYS CLOSED SECURELY AND LOCKED. NEVER GIVE THE COMBINATION TO A CHILD OR LEAVE IT WHERE A CHILD CAN FIND IT. NEVER GIVE THE COMBINATION TO A THIRD PERSON WHO MIGHT GIVE IT TO A CHILD. DO NOT LET A CHILD WATCH YOU ENTER THE COMBINATION. CHANGE THE COMBINATION IF IT IS COMPROMISED.

6. What about moisture getting inside my safe?

Although this device is for indoor use, the black powder coat finish is weather and moisture resistant.

7. Can I weld on my safe?

No, welding will void your warranty; it weakens the heat-treated steel.

8. Can I drill holes in the safe if the factory holes will not work for my application?

No, the two universal mounting brackets will allow you to install the Titan Pistol Vault in every conceivable application. We have added holes in the base for this purpose.

9. Where is the best location for my safe?

Close at hand. Think about convenience and accessibility. Think stealth, as a well-hidden safe adds to its security. The people that are going to use the safe are important when deciding on a location. Furthermore, time of day may be a factor as well as the days of the week. Are you alone during the weekends? Is your home full of people on the weekends? Many people have found that two locations will give better security in large spread out homes and homes with more than one level (two stories). Two guns in separate locations are better than two guns in the same safe, during a situation when you need to defend yourself and family. Remember, you are the only one that can gain access to your safe(s).

The intruder cannot gain access to the handgun at your location.

A. Entry areas where you first come into your home such as a garage, the front door entryway, back and side entries to the mudroom. Ask yourself these questions. Will you be bringing a handgun home with you and want to lock it up as soon as you enter your home? Will you want access to your handgun when you first come home? (Did someone follow you home? Is there already someone uninvited in your home when you arrive?) Your main concern should be for the safety of the members of your household. Your handgun should be in your possession or locked up. There is no in between!

B. Home office areas, especially if you work late at night.

C. Dense, family and grand rooms can be good and bad locations for your safe. You may spend most of your waking hours in these central areas but so do your family and friends.

D. The master bedroom is by far the most popular and practical room for the storage and quick access to a handgun. The master bedroom is a secure room as it is usually off limits to other members of the family unless invited and it has a phone to call for help. Furthermore, the universal bed mount will allow you to place your safe on your bed frame where you can reach while you are laying down.

Securely mounting your safe and hiding its location is highly recommended.

10. What is a good combination to set my safes to lock to?

Changing your safe combination from the factory setting is highly recommended. **Always write down a new setting**, and do not lock your instructions inside the safe. You can choose from one to five buttons and each button can only be pushed once, multiple buttons can be pushed together. We do not recommend setting the combination to less than three buttons.

11. What happens if my safe is attacked, can I still get in?

Your safe is built with 14GA harden steel and is designed to withstand attacks by hammers, screwdrivers, pry bars, drills, kicking, picking devices and being run over by a truck. It takes industrial type steel cutting tools or an acetylene torch to cut open our safe. If your safe is attacked and the knob, buttons, and faceplate are damaged; you can still gain access with little problem. Instructions on how to gain access to your safe after it has been attacked will not come with your safe. With proper warranty identification, we can help you over the phone. **You still must know your combination to gain entry.**

12. Is it all right to leave my gun loaded inside the safe?

This is your personal decision and one that comes with your responsibility as a gun owner. For safety purposes, we recommend that your gun is not loaded. If you are not sure how to keep your gun, ready and safe for you to handle, ask someone with experience. We recommend training and practicing with your handgun.

13. How many guns can I place in my safe?

One handgun per safe and it is our philosophy that it takes one reliable weapon to defend you against an intruder. However, for increased security, you may install Titan Pistol Vault in various locations, ready for quick and immediate access. Do not store other items with your weapon as it hinders its operation. You can add the Titan Ammo Box for storage of extra magazines or a flashlight.

14. Do the buttons light up at night?

No, the buttons do not light up. They are raised and spaced out to make their operation in the dark or without visual contact very easy. After 2 or 3 times of practice, you will be surprised at how fast you can open it without eye contact. In less than 3 seconds you will be ready and armed.

15. Should I bolt my safe down to something?

Most people do, we highly recommend it. The safe standing unattached will keep children out and deny access to the handgun at your location. Do not lose your property to a punk burglar! Consider the replacement cost of your gun and the laws that govern handguns and your responsibility. We have provided two mounting brackets for your Safe to be secured to a permanent location. In addition, you can utilize our cable lock system.

16. How will your safe stand up against extreme temperatures?

The pushbutton lock used in our safes is mechanical "Fail Safe". It does not use batteries that are affected by extreme temperatures, as electronic locks that rely on batteries have problems with extreme heat and cold. Battery life needs to be closely monitored when exposed to high and low temperatures; many such devices open just by vibration or static discharge.

17. Do you make a safe for shotguns and rifles?

Not at the present time, although it will be included in our future product lines.

18. Do you have a safe that will fit under the front seat of my car?

Yes, [Model # AS-2020-01](#) in vehicle installation fits under the seats or either side of the centre console of many cars and trucks. You can use one of the two universal mounts for this type of installation. In most cases, it is not necessary to remove the seat in order to mount the safe. "See question No. 4, above" You can also utilize the cable for this type of installation.

19. Can I mount my safe upside down?

Yes. Our safe is designed to operate upside down, on its side and standing on end. Our safe's versatility in mounting is a very strong feature and gives you plenty of mounting options.

Warranty: PLEASE REGISTER ONLINE AT www.TitanVault.com

We warrant that all products manufactured by us are free from defects in material and workmanship and those products of our design are fit for the purpose intended by us when properly installed and used. Your new Titan Pistol Vault is a high-quality product which will give you years of service and backup by Dorma Kaba Access Controls for Simplex® push-button mechanical lock and has one-year manufacturer warranty; as well as a lifetime warranty on workmanship and materials of the enclosure effective from September 1st, 2014. The extent of our liability for breach of such warranty when such is shown to our satisfaction, and the product has become impaired for the use for which it was intended by us, shall be limited, at our option, to the price charged by us for such product or part thereof, or to the replacement or repair of such product or part thereof, F.O.B. our factory. Purchasers are responsible for the freight costs on all returns. **YOUR PRODUCT WARRANTY DOES NOT COVER A "FORGOTTEN ACCESS CODE" OR DAMAGE CAUSED BY MISUSE OF THE PRODUCT.**

Do not return this product to the store. For technical support and troubleshooting on this product, contact us at 1-800-930-6430 or emails us at sales@titangunvault.com.

Our contact information:

- By Mail:** Titan Security Products Inc.
4140 Oceanside Blvd, Ste 159 #403, Oceanside, CA. 92056
- By Phone:** (800) 930-6430
- By e-mail:** Info@titangunvault.com
- Website:** WWW.TitanVault.Com

Copyright © 2006; all rights reserved.
Revised: Dec-2017